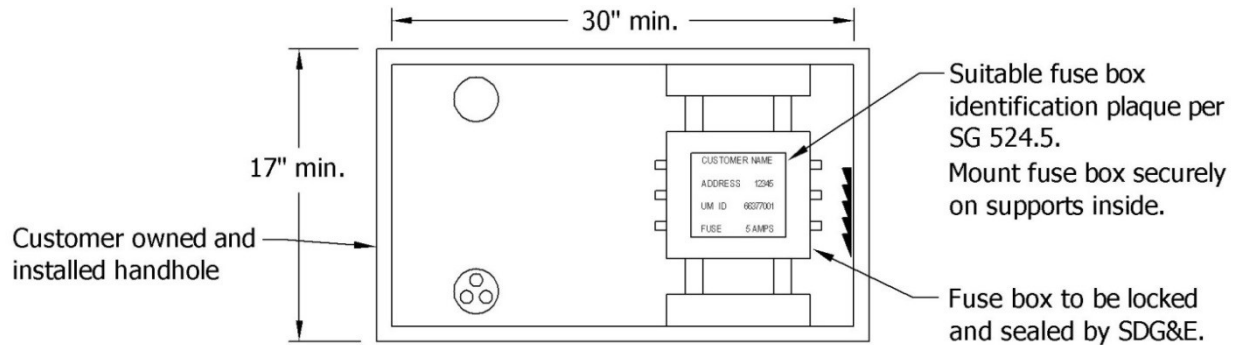
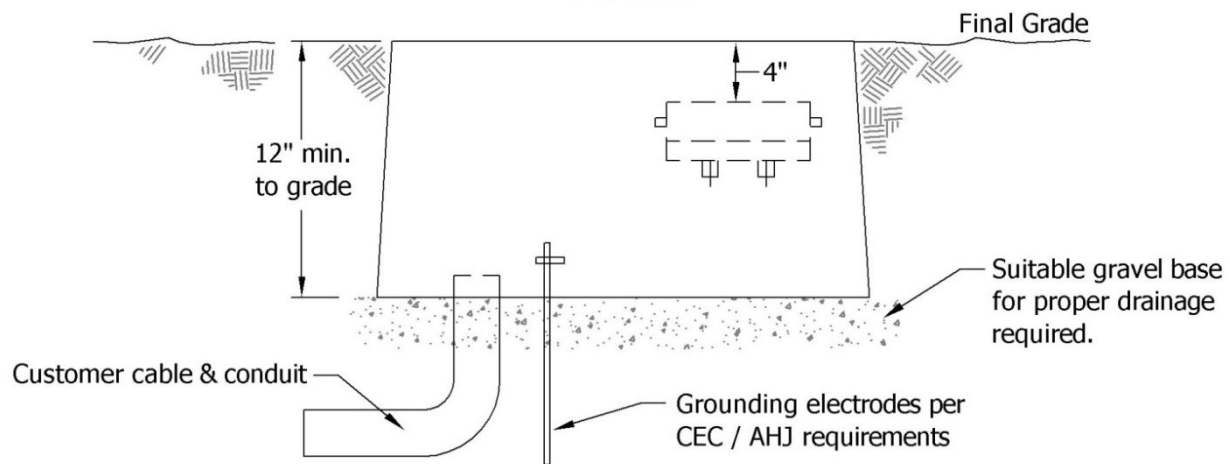


UNMETERED ELECTRIC SERVICE FROM AN UNDERGROUND SOURCE

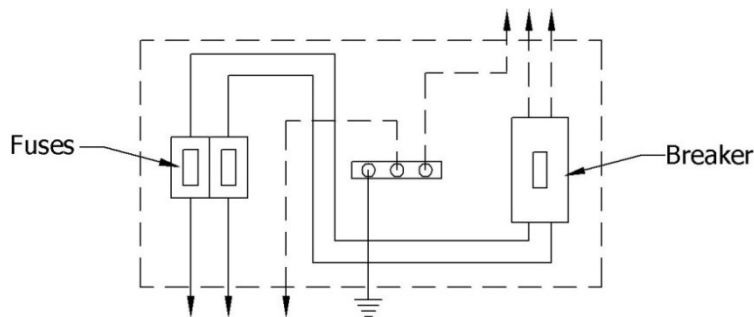
The installation and all materials shown in the illustrations below are provided by the customer. All installations must comply with the requirements of, and be inspected by, the AHJ and SDG&E (Utility).



Top View



Side View



Wiring Diagram Inside Fuse Splice Box

Note:
Alternate fusing methods:
fused disconnect suitable for
underground application, or
in a suitable enclosure.

© 1998-2017 San Diego Gas & Electric Company. All rights reserved. Removal of this copyright notice without permission is not permitted under law.

REV	CHANGE	BY	DSGN	APPV	DATE	REV	CHANGE	BY	DSGN	APPV	DATE
A	Editorial Changes	LSM	BRB	TPM	11/01/17	D					
B						E					
C						F					

Indicates Latest Revision

Completely Revised

New Page

Information Removed

SHEET
4 OF 10

SDG&E SERVICE STANDARDS & GUIDE

UNMETERED ELECTRIC SERVICE

SG 524.4