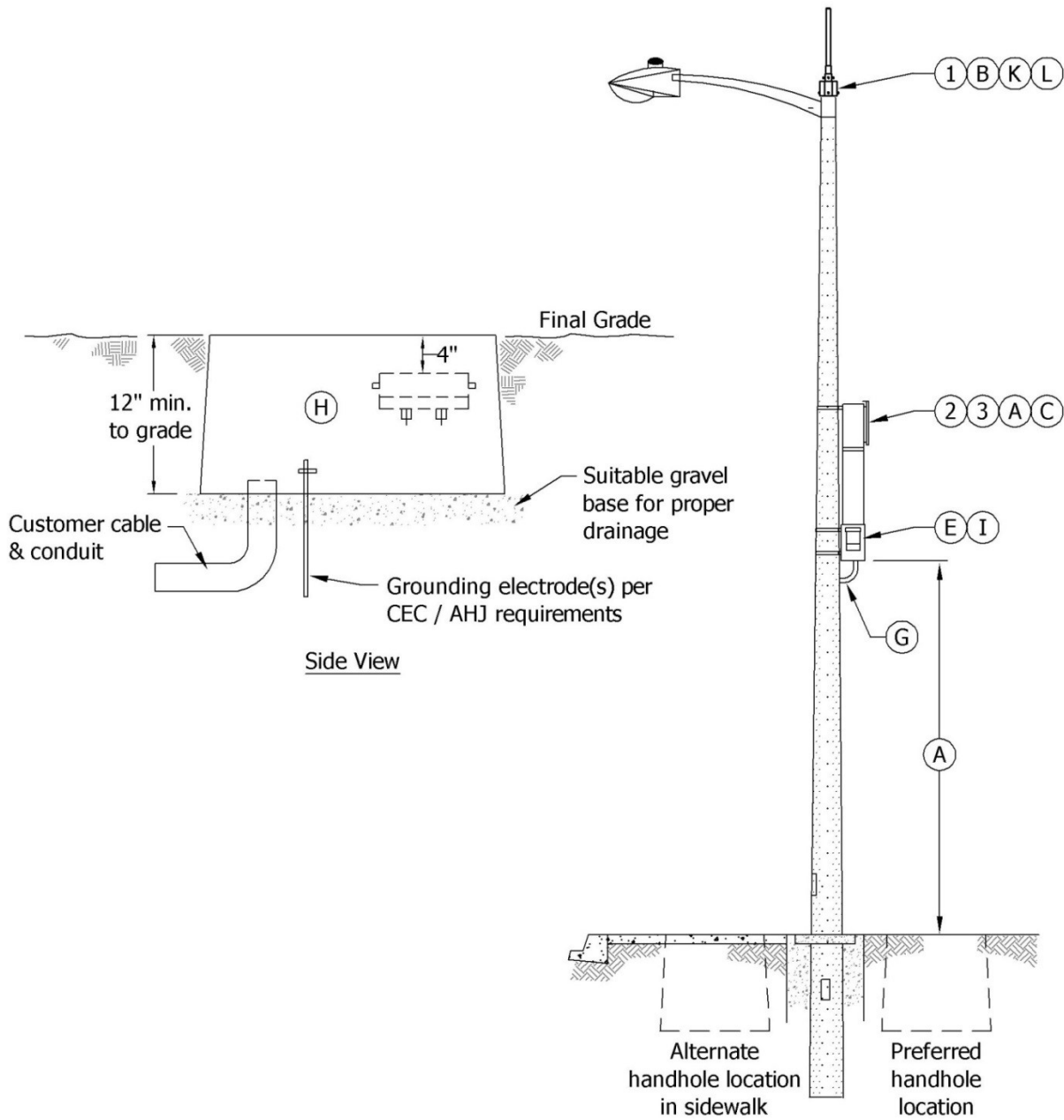


UNMETERED ELECTRIC SERVICE ON AN SDG&E-OWNED STREET LIGHT POLE

This standard shows and describes the installation of a customer-owned and -installed wireless communications antenna attachment on a direct burial or foundation pole with conventional luminaire for roadway lighting owned by SDG&E.



Reference OH 578.1 / UG 4660.1.

© 1998-2017 San Diego Gas & Electric Company. All rights reserved. Removal of this copyright notice without permission is not permitted under law.

REV	CHANGE	BY	DSGN	APPV	DATE	REV	CHANGE	BY	DSGN	APPV	DATE
A	Editorial Changes	LSM	BRB	TPM	11/01/17	D					
B						E					
C						F					

Indicates Latest Revision

Completely Revised

New Page

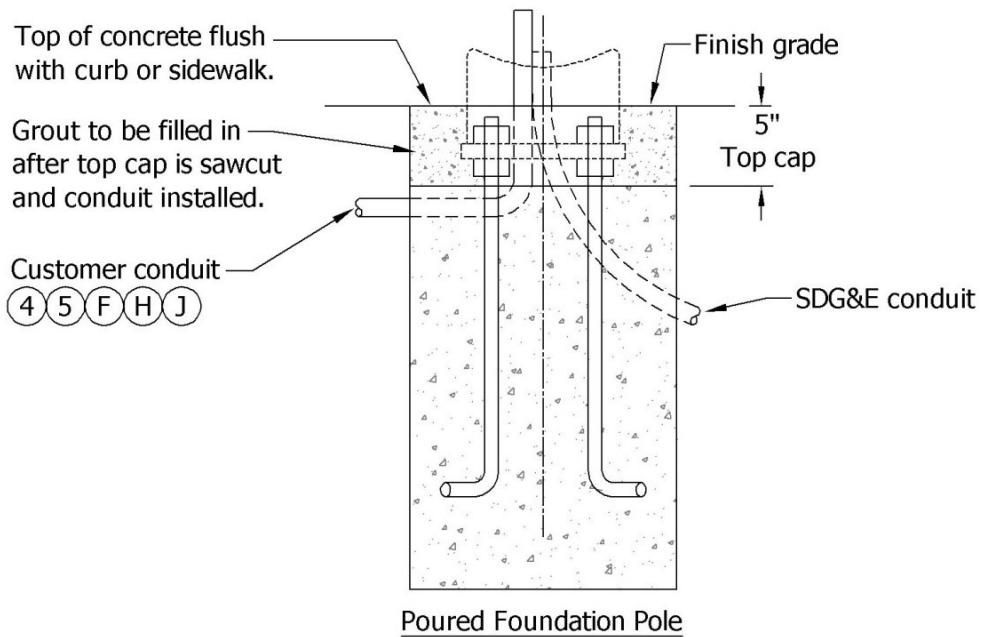
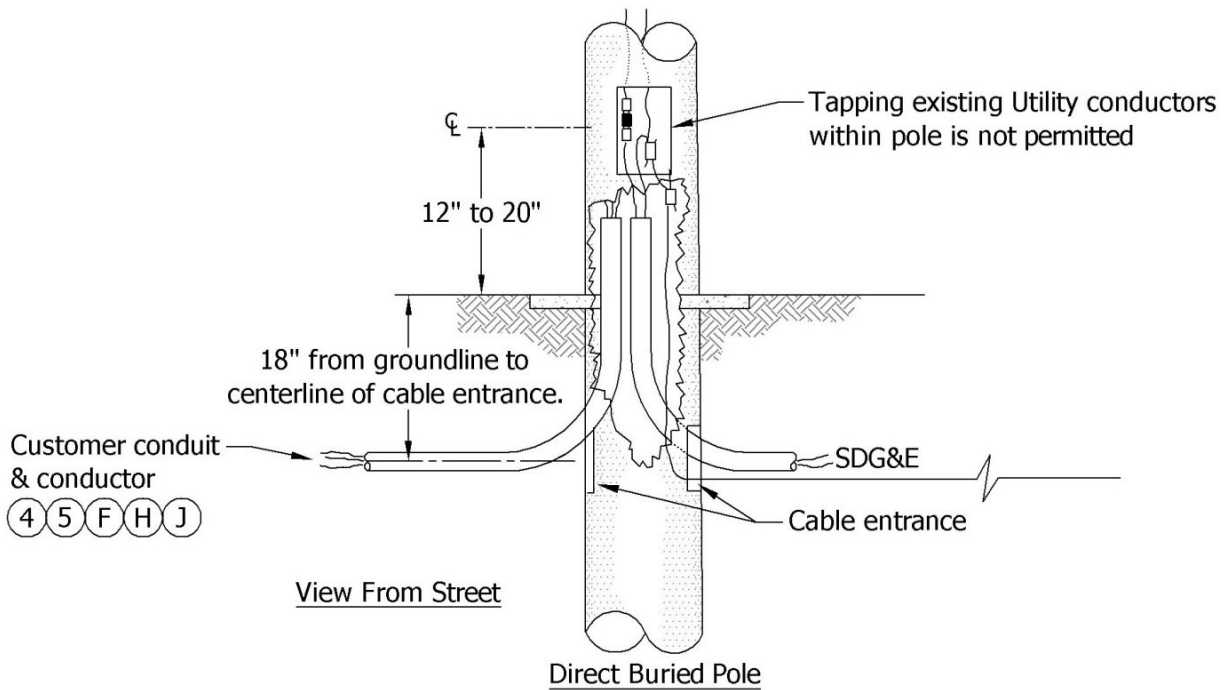
Information Removed

SHEET
8 OF 10

SDG&E SERVICE STANDARDS & GUIDE

UNMETERED ELECTRIC SERVICE

SG 524.8



Reference OH 578.1 – 578.2 / UG 4660.1 – 4660.2.

© 1998-2017 San Diego Gas & Electric Company. All rights reserved. Removal of this copyright notice without permission is not permitted under law.

REV	CHANGE	BY	DSGN	APPV	DATE	REV	CHANGE	BY	DSGN	APPV	DATE
A	Editorial Changes	LSM	BRB	TPM	11/01/17	D					
B						E					
C						F					

Indicates Latest Revision

Completely Revised

New Page

Information Removed

SHEET
9 OF 10

SDG&E SERVICE STANDARDS & GUIDE

UNMETERED ELECTRIC SERVICE

SG 524.9

Bill of Material:

Item	Description	Quantity	Const. Std. or Page No.	Stock Number
①	Customer-Owned Antenna, Directional or Omni-Directional (B)(K)(L)	As Required		(D)
②	Customer-Owned Ancillary Equipment	As Required		(D)
③	Tag, Ownership I.D. (C)	1	209	(C)(D)
④	Wire, Bare Copper Ground (F)(J)		4431.2	(D)
⑤	Connector Copper Compression Ground	As Required		(D)

Installation Notes:

- (A) Ancillary communications equipment must be banded to SDG&E's street light pole. Cabinet to be mounted at 10' from ground level to bottom of cabinet when not subject to traffic contact. If vulnerable to vehicle damage, mount cabinet at 13'-6" from ground level to bottom of cabinet. Consider large vehicles parking parallel to curb.
- (B) The customer-owned antenna must fit and fasten securely over the top of the street light pole, and all cables will be required to be installed within the hollow portion of the street light pole.
- (C) This installation must be clearly marked with the appropriate signage, per FCC, CPUC and Utility regulations. Signage to be installed and maintained by the telecommunications antenna owner. See OH Standard 209.
- (D) These items supplied and installed by the telecommunications antenna owner.
- (E) A municipally approved radio frequency (RF) power shutoff disconnect, with test points, will be installed and clearly marked by the telecommunications antenna owner. This disconnect, when open, will prevent the antennas from generating RF, including when on battery back-up (see Electric Standard Practice 124). Power disconnect to be mounted on the bottom of customer-owned ancillary equipment cabinet.
- (F) Customer-owned ancillary equipment must be securely grounded per G.O. 95 and local code requirements. Customer to provide their own grounding system. Attachment to the SDG&E grounding system, which includes, but is not limited to, the grounding electrode and grounding electrode conductor, is not allowed.
- (G) There can be no more than one hole drilled in the street light pole for installation of the power cables, coaxial cable and system ground. This hole is to be no larger than 1-1/2", and must be permanently sealed to prevent water entry. Drill hole in-line vertically with access door, or at 90 degree intervals from access door to avoid cutting embedded reinforcing wire.
- (H) This is the customer's Schedule UM fuse box installed in a customer-owned handhole per page SG 524.4. It will not be served by tapping existing SDG&E conductors within the street light pole. It must be served from a separate SDG&E structure suitable for use as a Service Point for Schedule UM service. A service order from an SDG&E Service Planner is required.
- (I) A cut-away lock will be provided by the telecommunication antenna owner for securing the RF power shut off disconnect.

References:

- (J) Grounding methods – See page SG 524.4.
- (K) All antenna brackets must be reviewed and approved by SDG&E before they are installed on SDG&E's street light poles.
- (L) Any communication antenna attachments must comply with the CPUC G.O. 95 and 128 Rules.

© 1998-2017 San Diego Gas & Electric Company. All rights reserved. Removal of this copyright notice without permission is not permitted under law.

REV	CHANGE	BY	DSGN	APPV	DATE	REV	CHANGE	BY	DSGN	APPV	DATE
A	Editorial Changes	LSM	BRB	TPM	11/01/17	D					
B						E					
C						F					

SHEET 10 OF 10	<input type="checkbox"/> Indicates Latest Revision	<input checked="" type="checkbox"/> Completely Revised	<input type="checkbox"/> New Page	<input type="checkbox"/> Information Removed
	SDG&E SERVICE STANDARDS & GUIDE			
	UNMETERED ELECTRIC SERVICE			

SG 524.10