

**SIMPLIFIED SINGLE LINE DIAGRAM (SLD) TEMPLATE**  
**RULE 21 NON EXPORT – PROTECTION OPTION 3**  
**STORAGE SYSTEM WITH INVERTER NAMEPLATE RATING ≤ 10 KW/KVA**

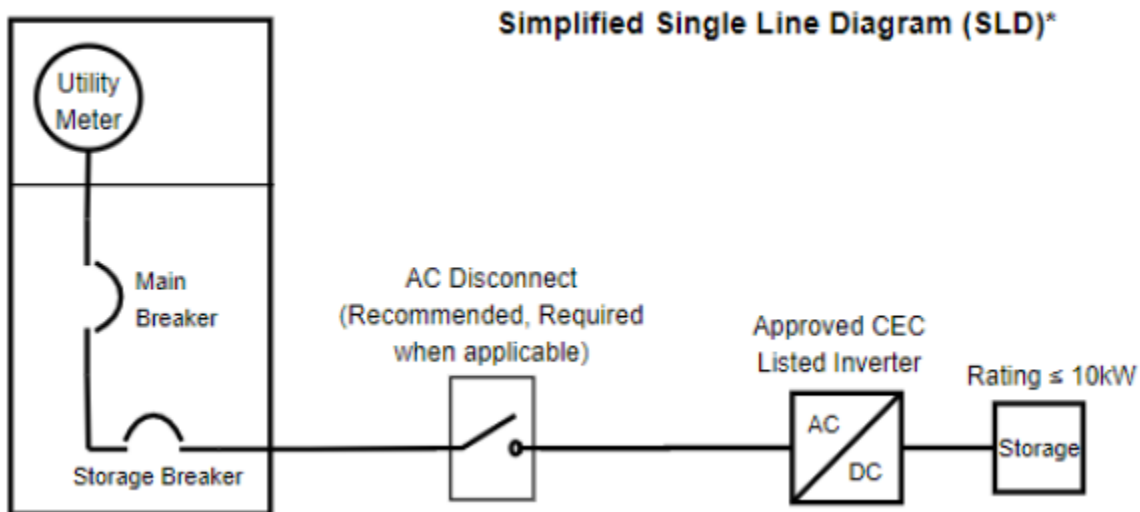
Updated July 15, 2020

By checking this box I certify all of the following:

- The single line diagram (SLD) below accurately represents the Interconnection Customer (IC) electric service equipment including new and existing generation and energy storage system (ESS) equipment.
- The IC will not charge the ESS in a manner that increases the IC’s maximum peak demand.
- The total inverter nameplate rating does not exceed 10 kW or 10 kVA.
- The IC selects the Rule 21 non-export protection option 3.
- The inverter(s) must be listed on the CEC list of approved inverters, or be approved by SDG&E as compliant to Rule 21 inverter requirements.
- The IC’s service panel meter must be self-contained, i.e. it has internal current transformers.

Utility Service: (if using the Single Line Diagram below)

Panel Voltage (Volts)	Main Breaker (Amps)	Storage Breaker (Amps)



\*This Simplified SLD represents only equipment that is required by SDG&E for interconnection for this specific application.