

SIMPLIFIED SINGLE LINE DIAGRAM (SLD) TEMPLATE
RULE 21 ENERGY STORAGE ≤ 10 KW/KVA PAIRED WITH PV ≤ 30 KW/KVA
DC COUPLED (SINGLE INVERTER FOR PV AND ES)

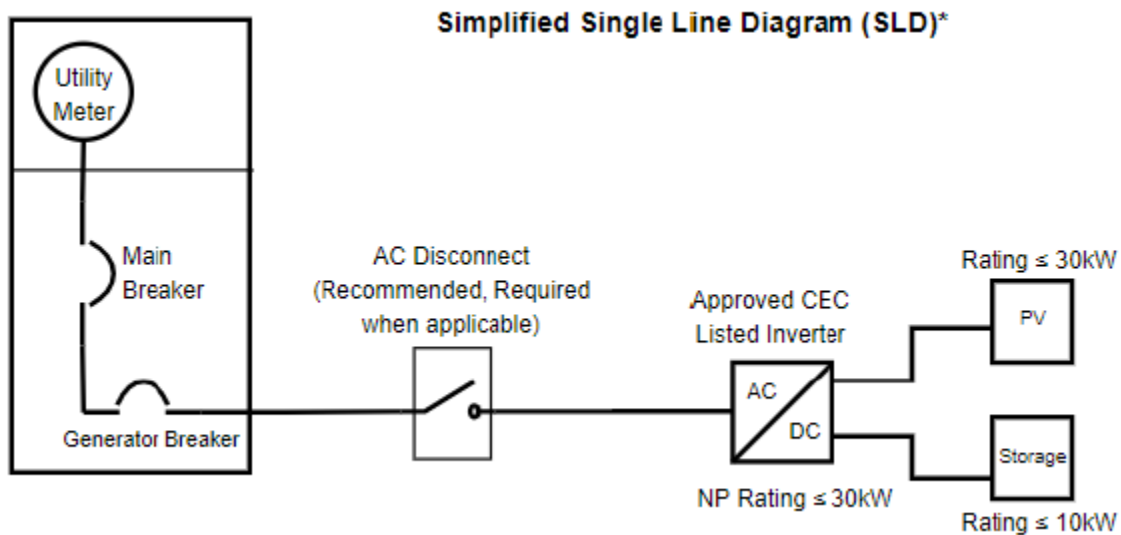
Updated July 15, 2020

By checking this box I certify all of the following:

- The single line diagram (SLD) below accurately represents the Interconnection Customer (IC) electric service equipment including new and existing generation and energy storage system (ESS) equipment.
- The IC will not charge the ESS in a manner that increases the IC's maximum peak demand.
- If the inverter nameplate rating is greater than 10 kW/kVA up to 30 kW/kVA, the ESS must have a technical specification of maximum continuous output rating not greater than 10 kW or 10 kVA. The inverter nameplate rating does not exceed 30 kW or 30 kVA.
- The ESS and PV inverters must be listed on the CEC list of approved inverters, or be approved by SDG&E as compliant with Rule 21 inverter requirements.
- The IC's service panel meter must be self-contained, i.e. it has internal current transformers.

Utility Service: (if using the Single Line Diagram below)

Panel Voltage (Volts)	Main Breaker (Amps)	Storage Breaker (Amps)



*This Simplified SLD represents only equipment that is required by SDG&E for interconnection for this specific application.